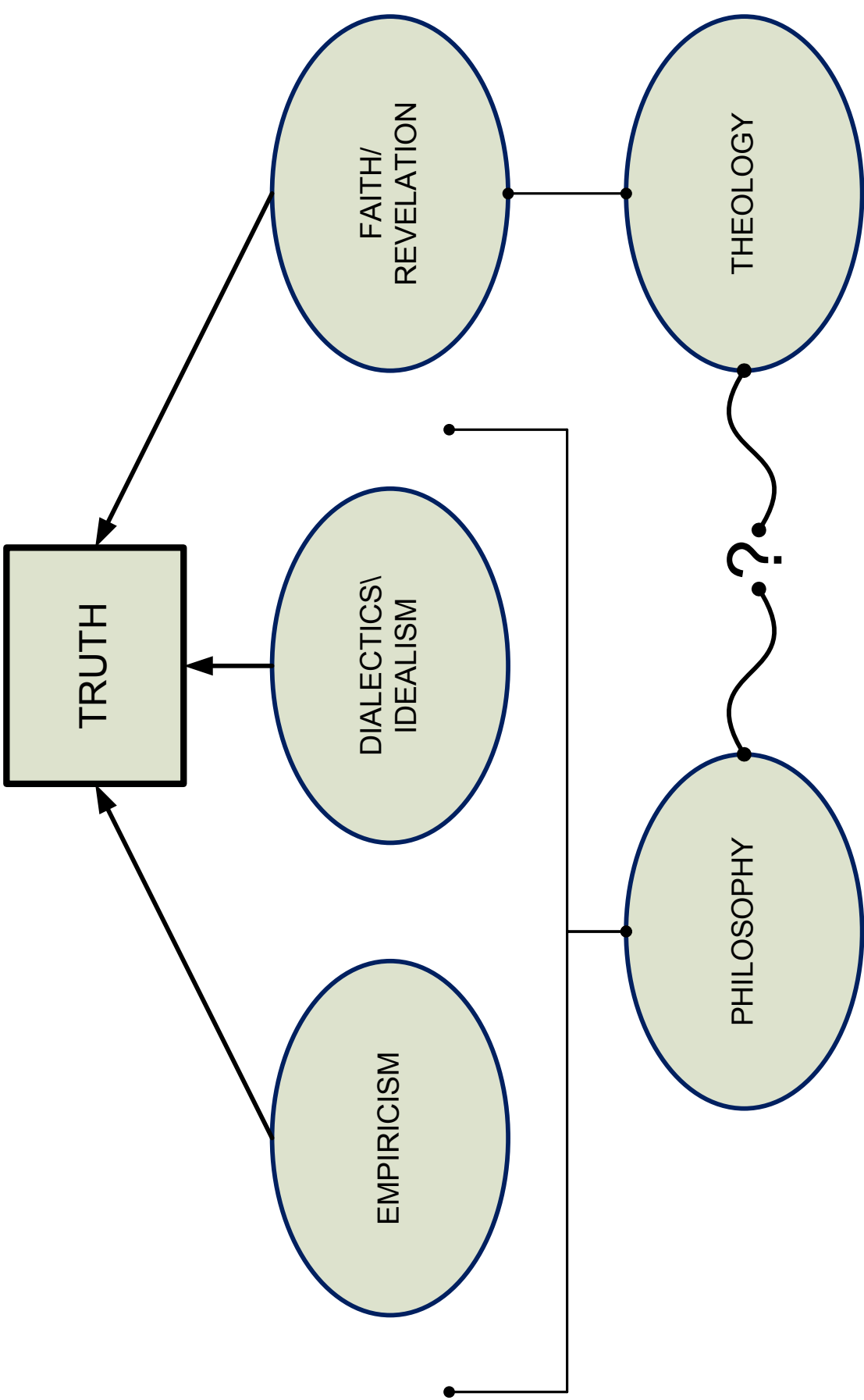
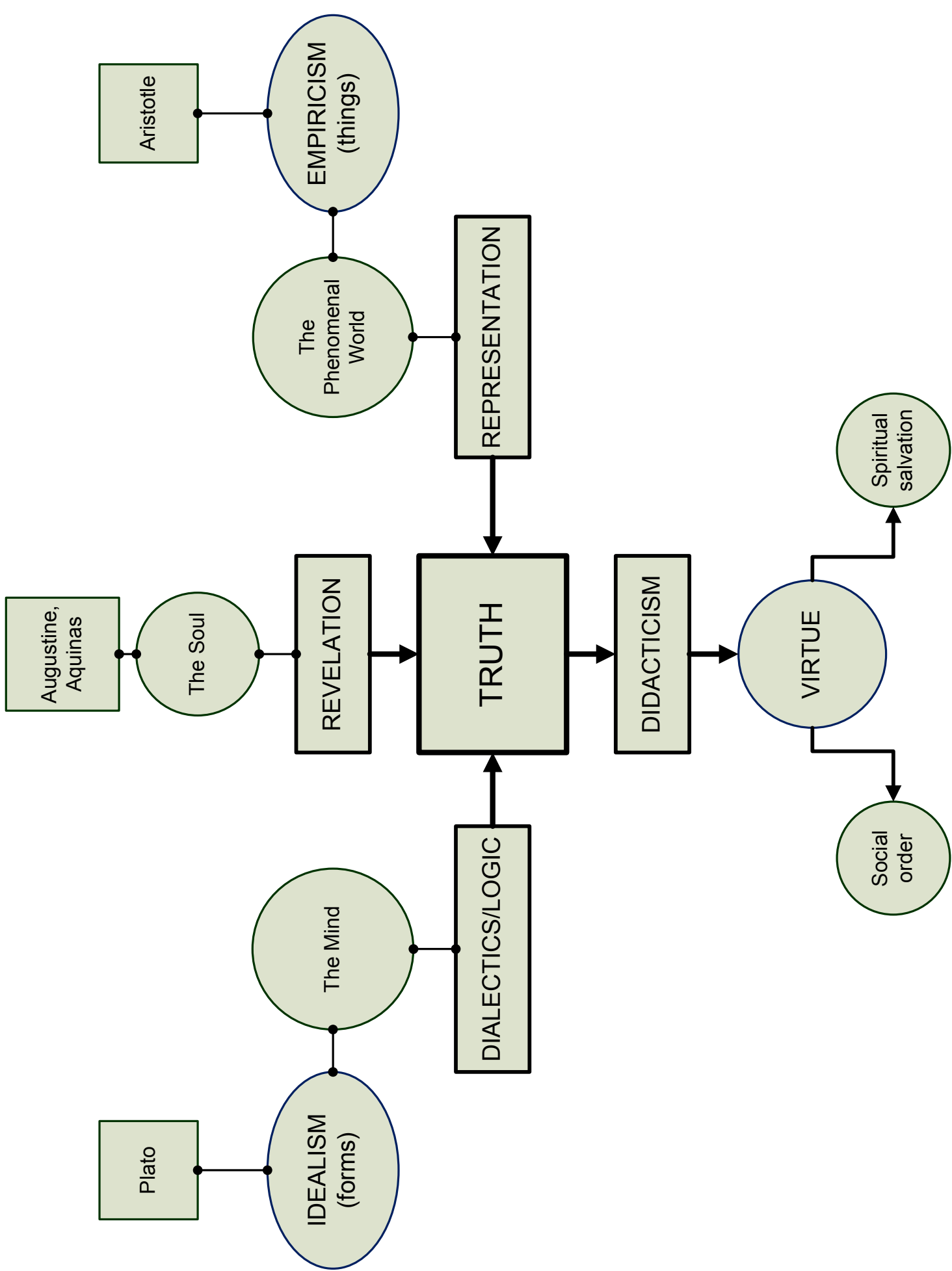
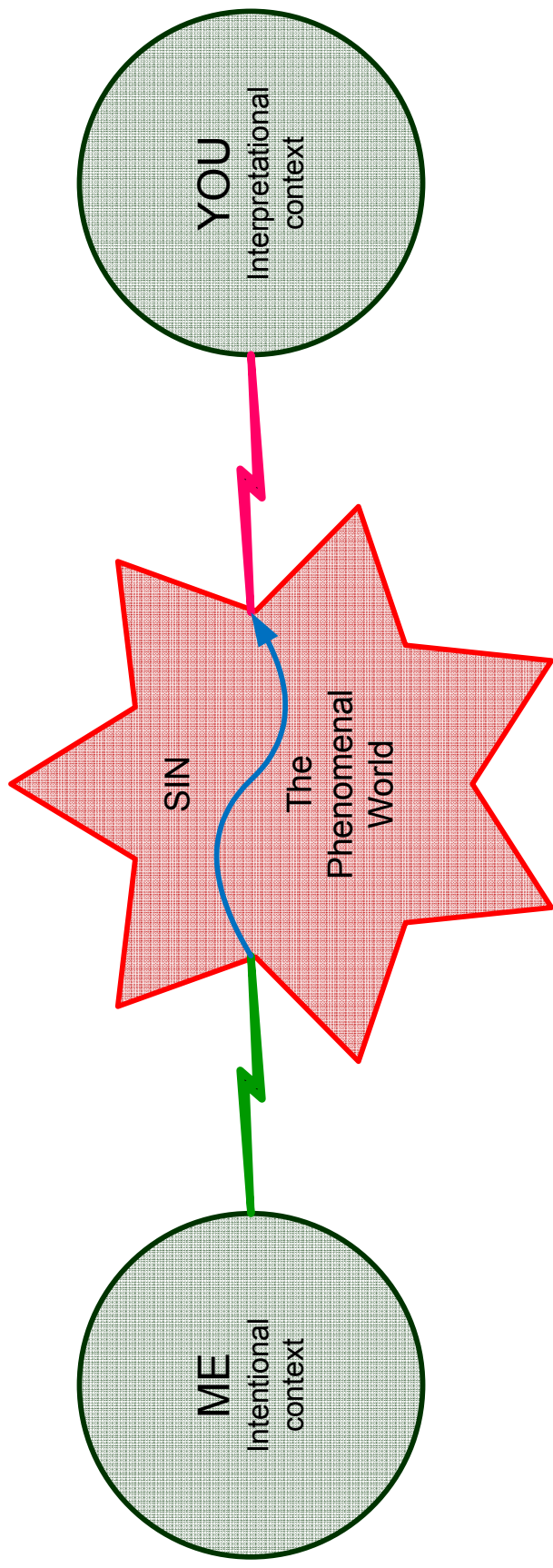


LATE MIDDLE AGES EPISTEMOLOGY

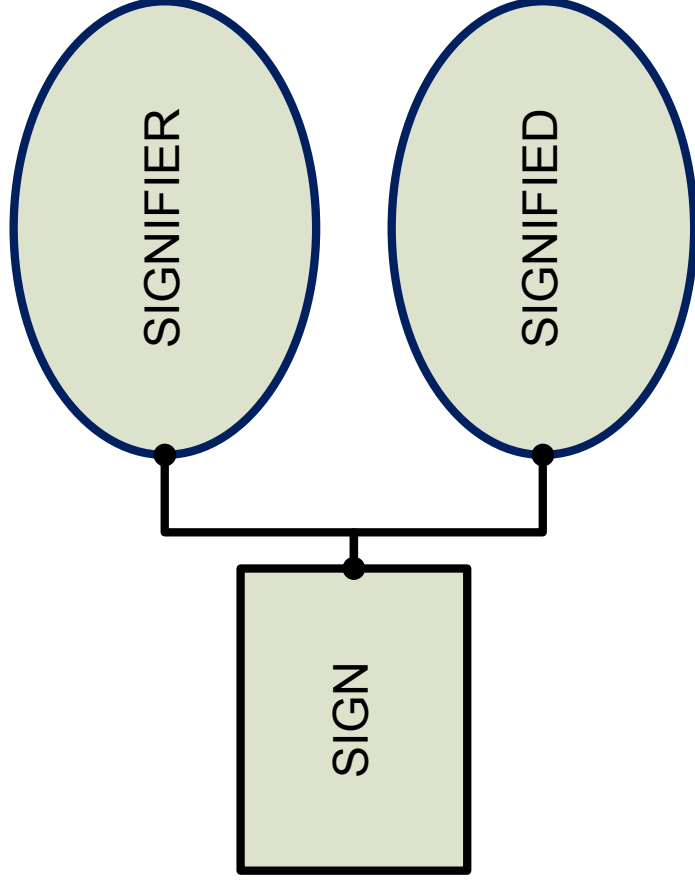


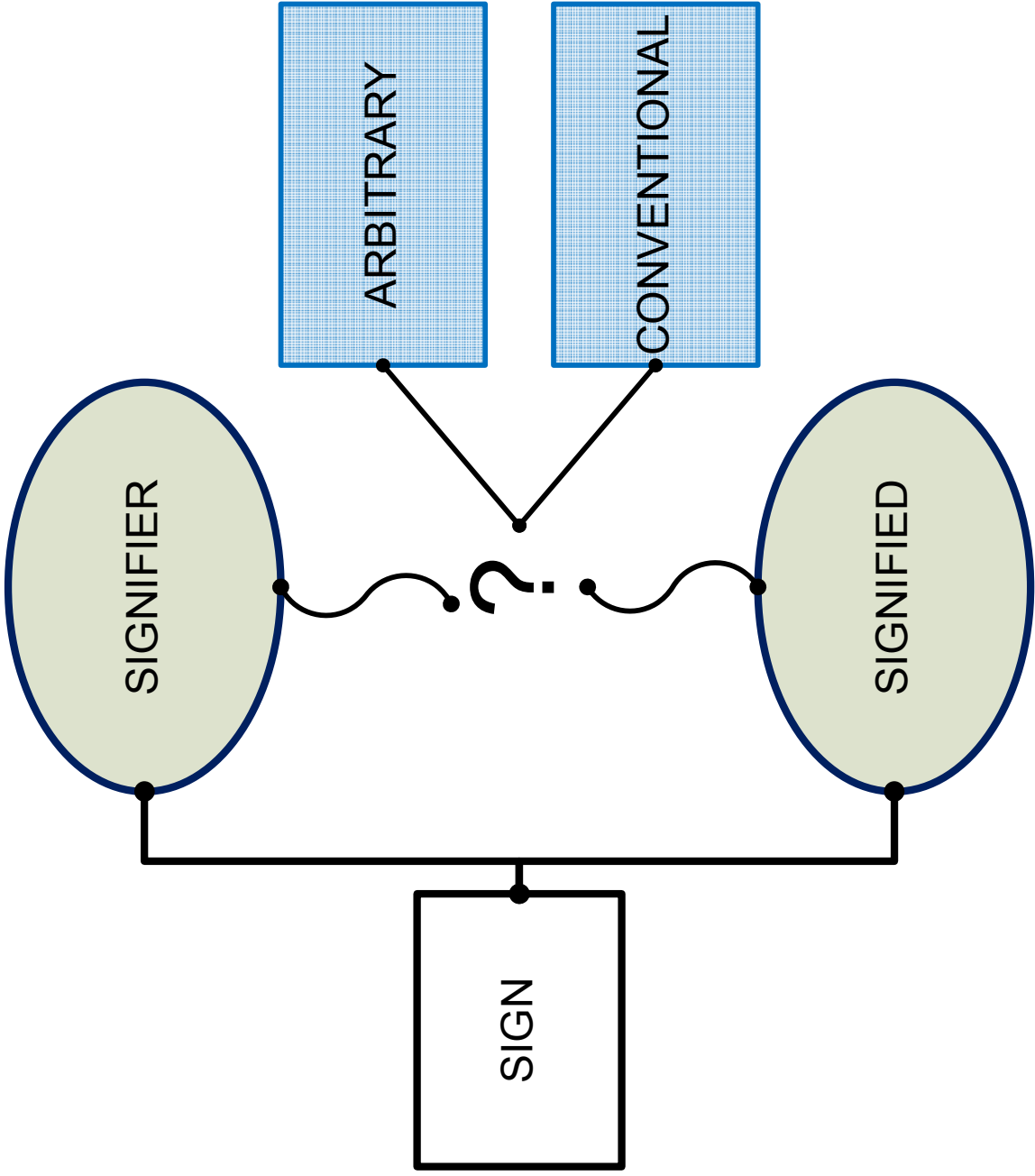


Augustine: the Problem of Communication

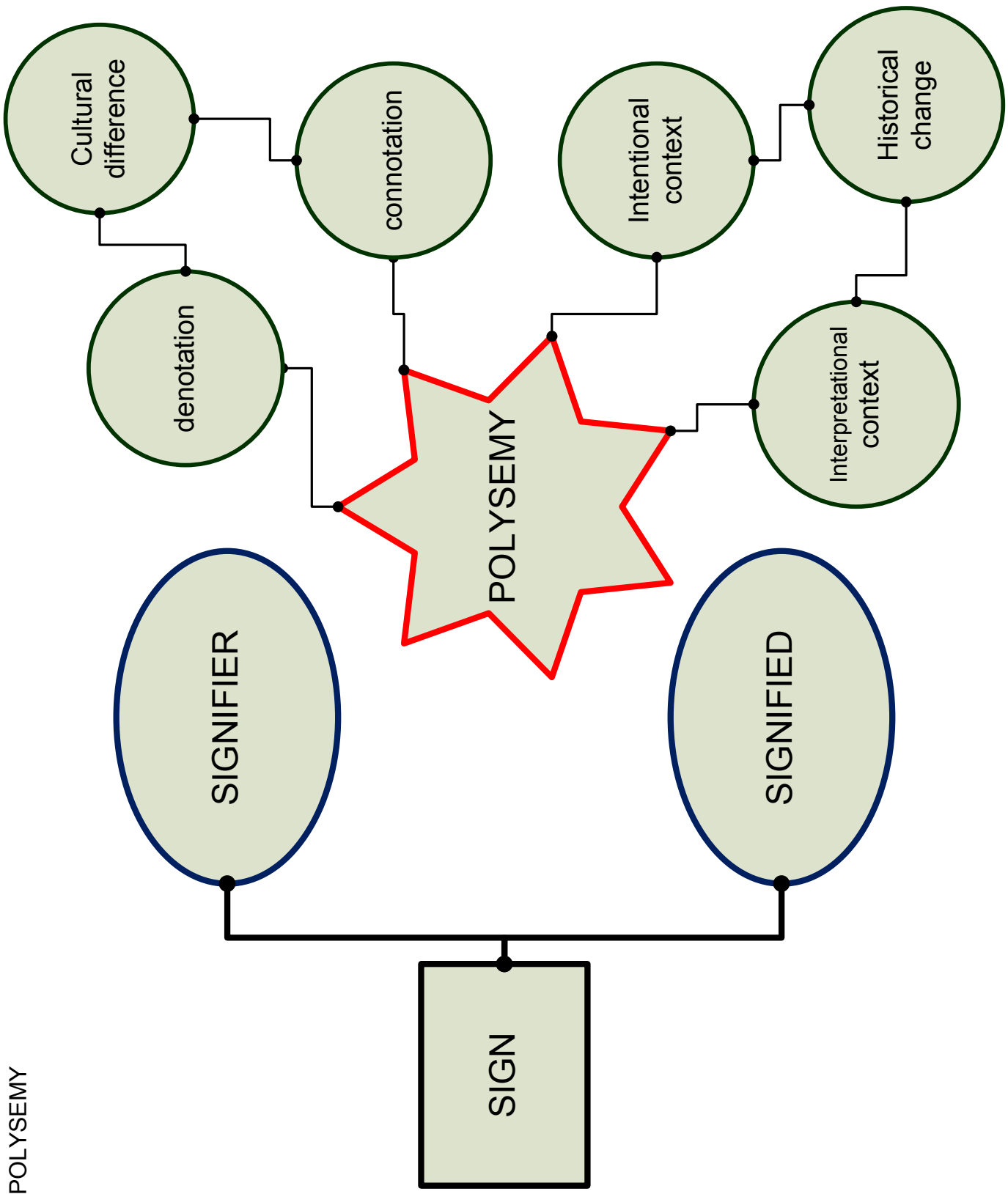


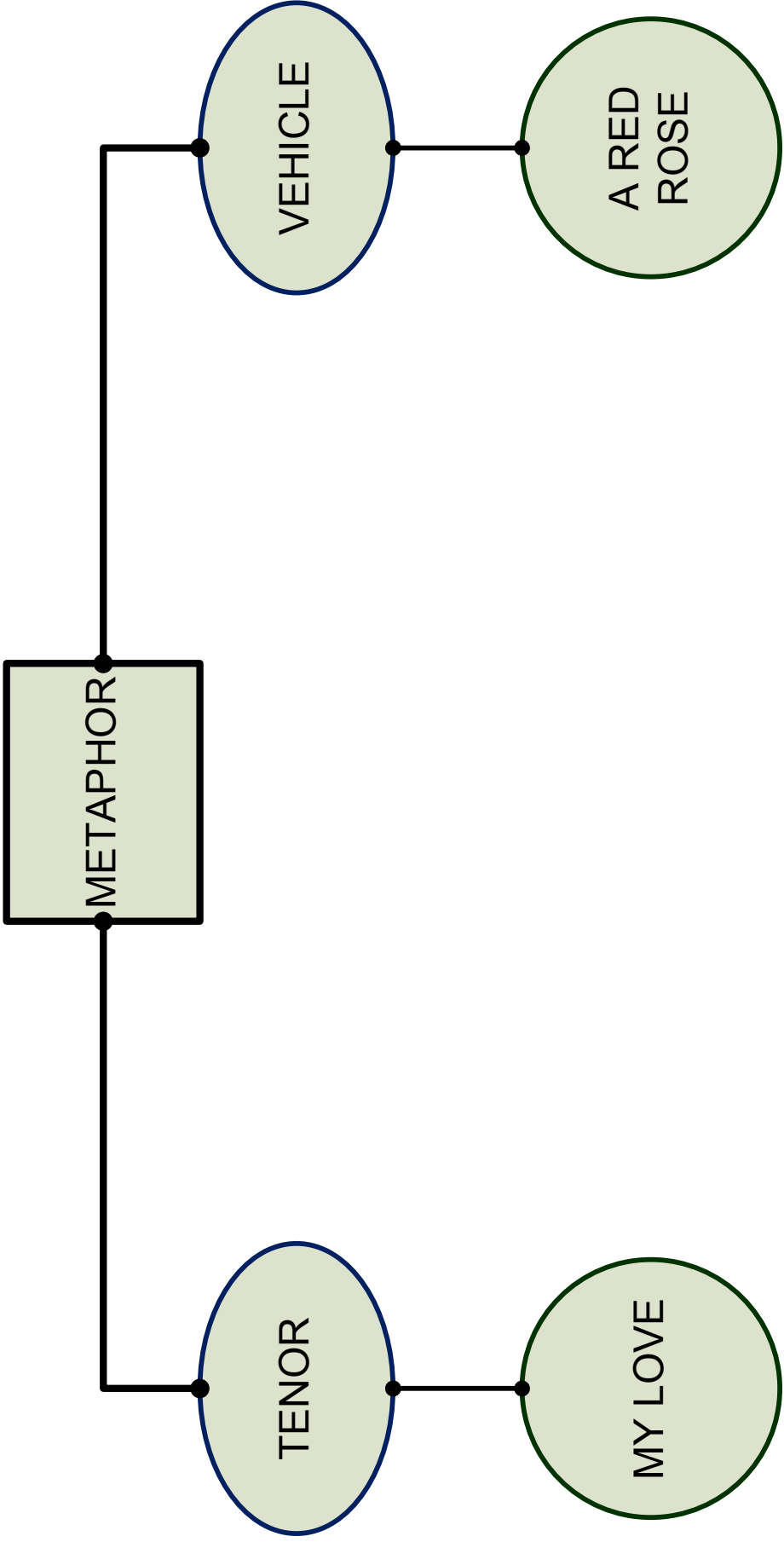
THE SIGN: AUGUSTINE via de SAUSSURE

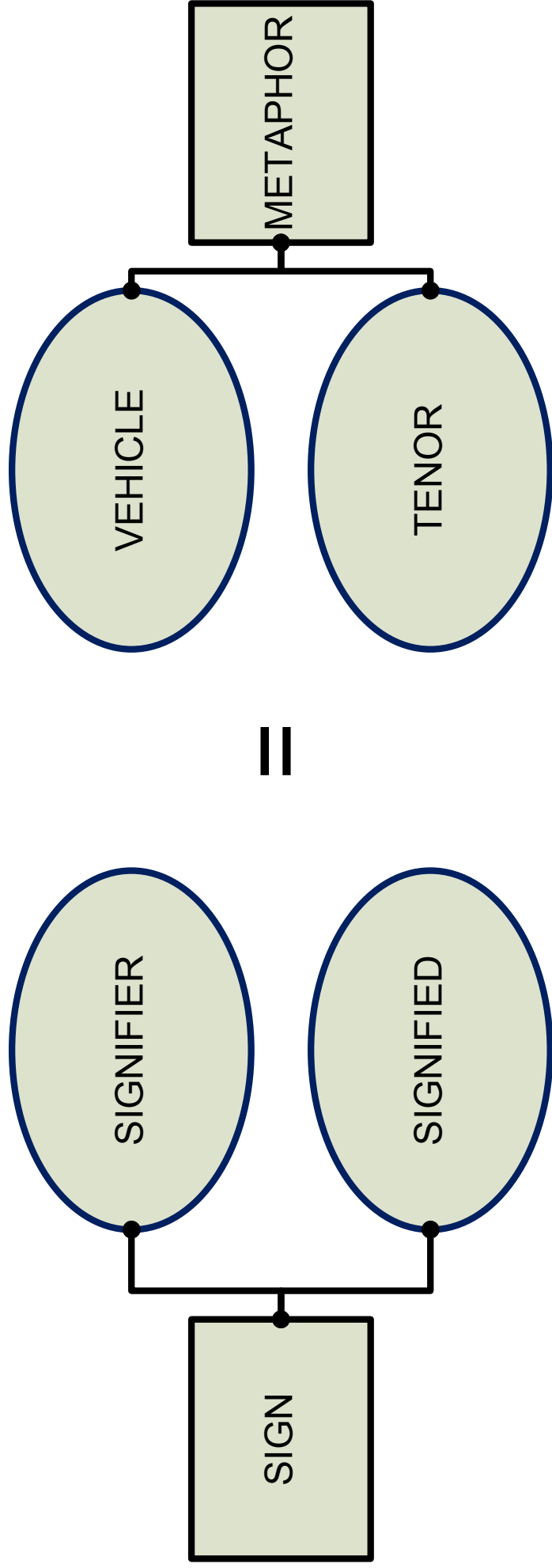




POLYSEMY







All language is METAPHORICAL.

AUGUSTINE'S
TRANSCENDENTAL SIGNIFIER

